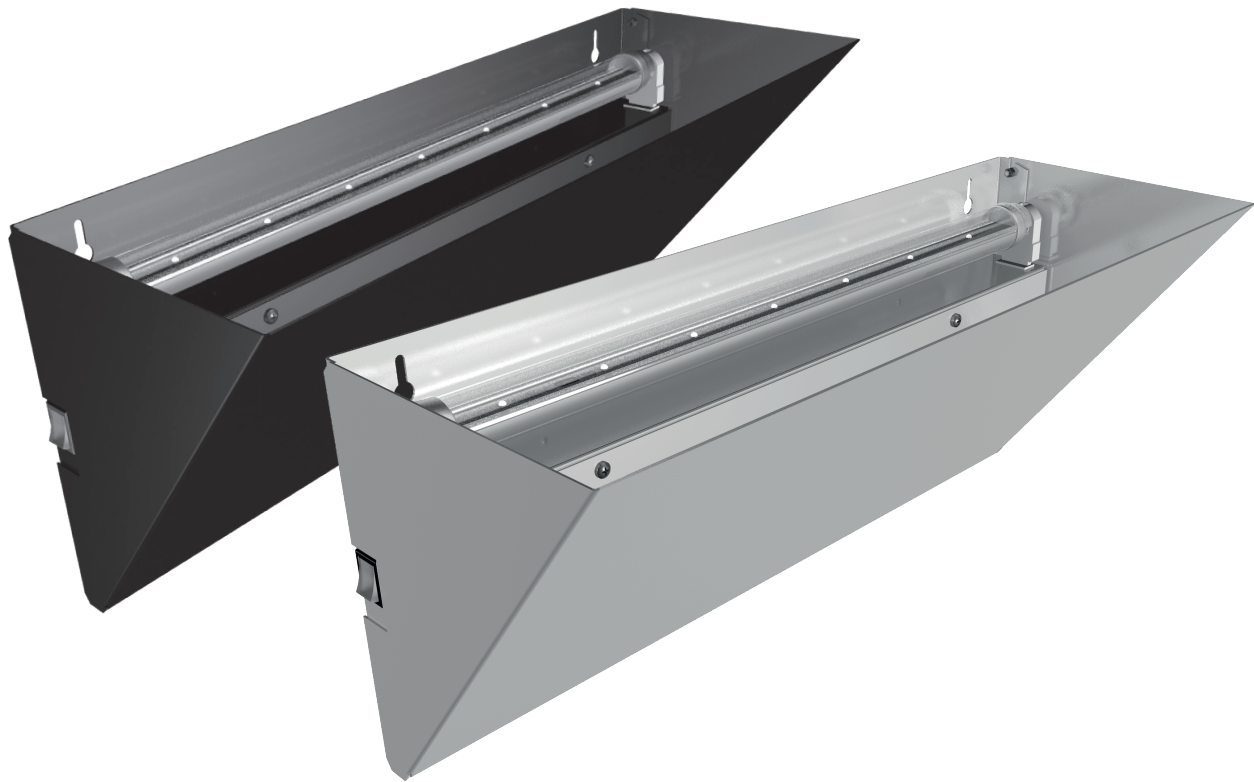




Find us on: LinkedIn Facebook

# Chameleon<sup>®</sup> Uplight

## QBL LED



### INSTRUCTIONS FOR USE



[www.pestwest.com](http://www.pestwest.com)

Confidence in  
**Fly Control**

## PRECAUTIONS



ALL PESTWEST® EFK'S ARE FULLY INSULATED, CLASS 1 APPLIANCES, NEVERTHELESS, SENSIBLE PRECAUTIONS SHOULD BE OBSERVED:

- Switch off the machine before servicing or cleaning.
- Keep out of reach of children.
- Do not install where dangerous concentrations of flammable gases or dusts are likely to occur.
- Ensure the unit is properly earthed.
- If the supply cord is damaged, it must be replaced by the manufacturer, its service agent or similarly qualified persons to avoid a hazard.
- Ensure that operators have adequate and secure working platform, when working on the machines.
- The DS120 is designed for indoor use only.
- Not suitable for use in barns, stables and similar locations.
- To maintain the attractive appearance of the units, wipe down and clean as often as required. Use a cloth dampened with water and detergent or a proprietary cleaner. Do not use scouring pads or abrasives.
- A Risk Assessment for non-target species should be made prior to installation
- If the unit does not light up within a few seconds after plugging in, switch off unit and check tubes and starters are fitted correctly.
- Do not replace any electrical cords yourself. You must use a registered electrical contractor.
- We suggest the unit be kept on 24 hours a day 365 days a year, as some insects are about all year round.

## TECHNICAL SPECIFICATIONS

VOLTAGE RANGE	220-240V
FREQUENCY RANGE	50/60-HZ
POWER CONSUMPTION (@230V 50Hz)	0.36W MAX
INGRESS PROTECTION RATING	20
CLASSIFICATION	CLASS 1
AMBIENT OPERATING TEMPERATURES	0 TO +40 °C
AREA OF COVERAGE	40m <sup>2</sup> WALL MOUNTED
REPLACEMENT TUBES (1 QTY)	130-000336 7W QBL LED 18" T8 retrofit
MOUNTING METHOD	WALL MOUNTED
UNIT DIMENSIONS (CM)	W:47 X D:17 X H:20
WEIGHT	3.7KG UNBOXED

### PRODUCT DESCRIPTION

This PestWest Chameleon Uplight is made using the highest quality materials. The bodywork is of conformal polyester powder coated finish over a zinc (rust-resistant) steel chassis. PestWest units are fitted with Quantum BL tubes as standard.

### UNPACKING YOUR UNIT

Each unit is carefully inspected and packed before leaving our factory. Before discarding the outer carton, examine for obvious evidence of transport damage. Remove the unit and pay particular attention to the removal of all packing materials, before installing the unit.

### MODE OF OPERATION

The PestWest Chameleon Uplight flying insect unit operates on the principal that most flying insects are attracted to light, particularly

to the ultra violet (UV) end of the light spectrum. Since photopositive insects are very active and will fly at night, traps should be left operating continuously, i.e.: 24 hours a day.

### SITING

It is impossible to give one set of recommendations to cover all requirements or situations. These general guidelines are given in the knowledge that some of them apparently conflict with others. Users should adopt those that best fit their needs or seek expert advice.

### AS A GENERAL RULE:

Fly traps should be positioned so as to minimize competition from other light sources, so do not mount adjacent to windows, high Intensity Discharge (HID) or other competing light sources. In food areas, mount the trap close to, but not directly over, exposed food or food preparation surfaces (preferably to attract flies away from food preparation areas). Refer to the FDA food code for specific instructions.

Observe where the flying insects tend to congregate and if possible, install your unit, in or close to that area.

Position traps in an "interception" zone from the principal point of fly entry - normally doors and/or windows. In food establishments, flying insects are more likely to come in through the back door rather than the front, because that is where the dustbins are kept in addition to doors which may be kept open for cooling the back areas.

Mount the trap in a convenient location for changing the glue board; do not place over working machinery where access may be difficult or dangerous.

### COVERAGE

It should be borne in mind that the brighter the surrounding day light, the greater the number of units, which may be required for a given area.

Refer to PestWest's Flying Insect Science Manual for complete information on flying insect behaviour and biology for best results.

### MAINTENANCE

To maintain the attractive appearance of your new Uplight, it should be cleaned/wiped down as often as required. Use a cloth dampened with water and detergent or a proprietary cleaner. Do not use scouring pads or abrasives.

### INSTALLATION

Select the optimum position for the Uplight using the guidelines given (see "Siting"). This PestWest Chameleon Uplight has 2 keyhole slots on the rear panel, to permit wall mounting using the screws and masonry plugs (included). The units are manufactured with a 2 mtr power cord terminated in a plug to suit local outlets and operate from a 220-240 volt 50/60Hz supply. If it is necessary to extend the power cord, Contacting a local certified electrician is recommended. Ensure that once installed, the power cord is adequately secured. Before installing any Chameleon Uplight, please remove all packaging.

# Chameleon® Uplight QBL LED

## Instructions for use and maintenance

Please switch off machine before servicing or cleaning.

Using the unit as a template, mark off the 2 fixing points onto the mounting surface. Using the screws and plastic plugs provided, mount the Uplight body horizontally (and level) in place.

Once the unit is securely installed, you will need to remove the backing paper from the glue boards to reveal the glued surface. This is most easily achieved before the glue board is slotted into the unit. Be sure the glue surface is facing upward toward the lamp.

### REPLACING THE GLUE BOARDS

#### ALWAYS UNPLUG THE unit BEFORE SERVICING

Due to insect and/or dust contamination the glue boards should be changed when full or at least every eight weeks. PestWest Chameleon range all use the same size of board, with the exception of the 4x4. Always install PestWest brand glue boards to ensure peak efficiency. To fit the shape of the Chameleon Uplight the Sticky board has a perforated crease about 80 m/m in from one edge. To ease fitting to the unit it is advisable to pre bend the board along this crease line about 45° inwards towards the backing release paper.

Remove the backing paper from the new board in a single swift motion; otherwise it will tend to remain firmly attached. Should this occur, reapply the peeled back section and repeat.

Ensure PestWest glue boards are used as replacements.

#### CHANGING THE TUBES

UV tubes are most attractive to the target flying insects when less than one year old. This is because the UV light emitted by the tubes at a wavelength of 350-375 nanometres diminishes with use over time. Light of this wavelength is invisible to the human eye. The blue/violet colour light, which we can see is not at all representative of the actual UV light emissions.

Daily switching on and off of the tubes results in an even faster loss of the effective UV emission.

**IT IS MOST EFFECTIVE TO LEAVE THE UPLIGHT ON CONTINUOUSLY AND TO CHANGE THE TUBE AT LEAST ONCE PER YEAR (PREFERABLY AT THE ONSET OF INCREASED FLY ACTIVITY AFTER THE WINTER).**

All Pestwest professional range of units are supplied with shatterproof tubes as standard.

Shatter proof tubes are intended for glass exclusion zones.

The coating on tubes supplied with our units is of the highest quality available, using a material that is both UV and operating temperature tolerant whilst allowing high transmission of the critical UV wavelengths of light.

Grasp the tube and rotate in either direction (90°).

After 1 click is heard, the tube may be removed by sliding out of the lamp holder. Installing the new tube is a reversal of the above procedure. For optimal performance, replace the starter every time you replace the lamp.

#### REPLACEMENT TUBE/STARTER

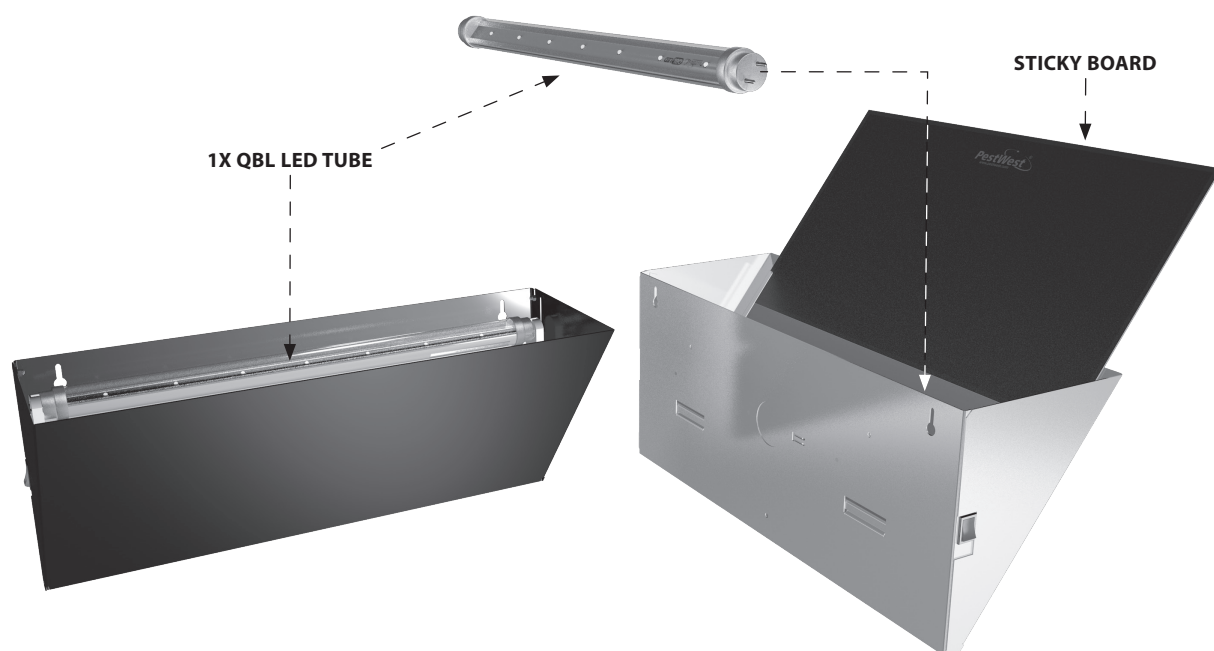
BOACHALED18 135-000245 LED retrofit 18" glueboards



WE RECOMMEND THAT YOU ONLY USE GENUINE REPLACEMENT PESTWEST TUBES.

MANY CHEAPER BRANDS DO NOT MEET THE SAME HIGH STANDARDS.

## Chameleon® Uplight QBL LED



#### EACH UNIT COMES WITH THE FOLLOWING PARTS:

- 1 x QBL LED 7W 18" T8 retrofit tube (130-000336)
- 1 x 135-000245 LED Board 18" retrofit

Component Parts

### GUARANTEE

All PestWest traps are guaranteed for 3 years (excluding LED tubes and sticky boards).

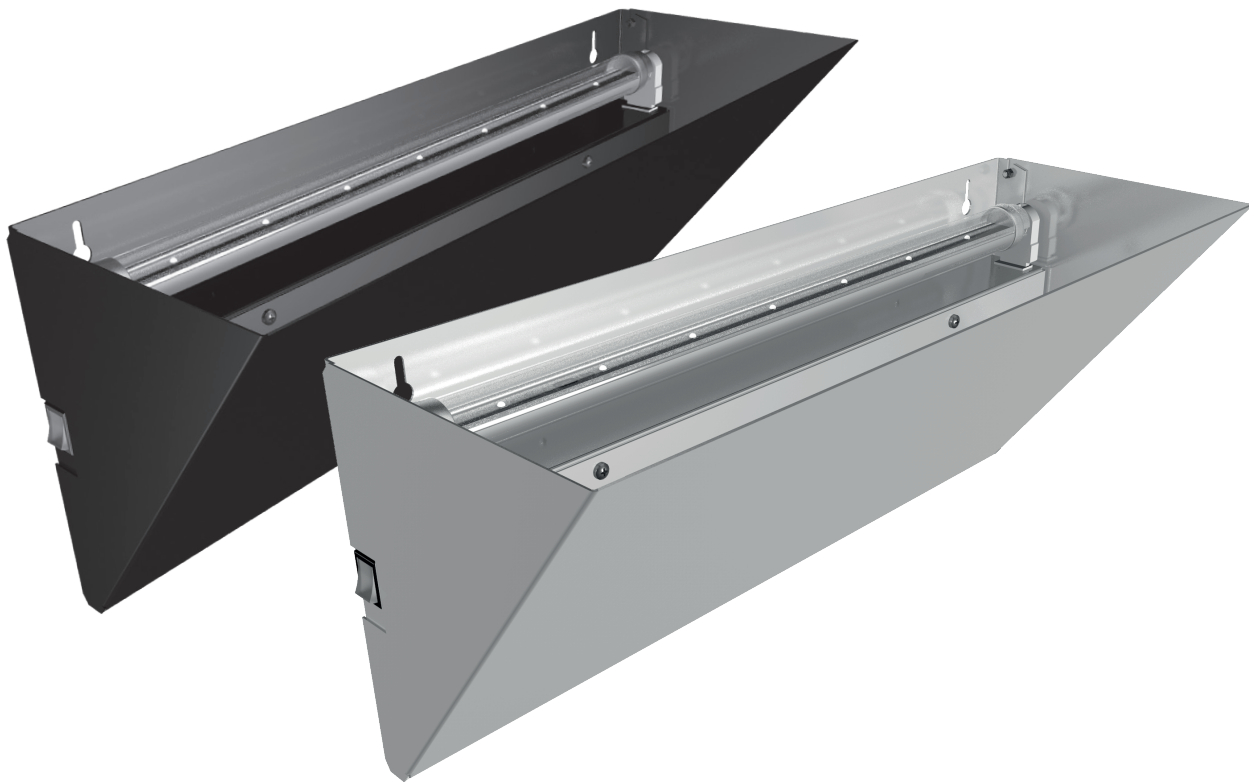
Manufacturer reserves the right to vary model specifications without notice.



Find us on: LinkedIn Facebook

# Chameleon<sup>®</sup> Uplight

## QBL LED



PestWest Electronics Ltd operates a quality management system certified to ISO 9001

**PestWest<sup>®</sup> Australia**  
4 Tesla Link, Wangara, Perth, W.A 6065  
Office: +61 (8) 9302 2088  
email: info@pestwest.com.au

[www.pestwest.com](http://www.pestwest.com)

Confidence in  
**Fly Control**