

KELPIE™ L40

FLUORESCENT & LED



INSTRUCTIONS FOR USE

PRECAUTIONS



ALL PESTWEST® EFK'S ARE FULLY INSULATED, CLASS 1 APPLIANCES, NEVERTHELESS, SENSIBLE PRECAUTIONS SHOULD BE OBSERVED:

- **CAUTION:** This appliance is not intended for use by persons (including children) with reduced physical, sensory or mental capabilities, or lack of experience and knowledge, unless they have been given supervision or instructions concerning use of the appliance by a person responsible for their safety, supervision or instruction regarding the use of the device. That adult person should supervise children to ensure they do not play with the device. The device must be kept out of reach of children.
- If the unit does not light up within a few seconds after plugging in, switch off unit and check tube fitted correctly, see back page.
- This appliance is not to be used in locations where flammable vapour or explosive dust is likely to exist and is not suitable for use in barns, stables and similar locations.
- **WARNING:** An electric shock hazard may exist if water from a garden hose is directed at the insect killer.
- When using extension cords, keep the socket-outlet away from moisture and avoid damage to the cord.



DANGER HIGH VOLTAGE!

We suggest the unit be kept on 24 hours a day, 365 days a year as some insects are about all year round. An additional advantage is security lighting for your premises. Operational costs are minimal by comparison to most other electrical appliances.

TECHNICAL SPECIFICATIONS

LED SPECIFICATIONS	
VOLTAGE RANGE	220-240V
FREQUENCY RANGE	50-HZ
POWER CONSUMPTION (@230V 50Hz)	50W
CLASSIFICATION	CLASS 1
AMBIENT OPERATING TEMPERATURES	0 TO +40 °C
AREA OF COVERAGE	SUSPENDED / FREESTANDING 550m2
REPLACEMENT TUBES (4 QTY)	130-000340 – 10W QBL LED BULB
MOUNTING METHOD	POLE, TREE OR BRACKET MOUNTED
UNIT DIMENSIONS (CM)	W:49 X D:14 X H:16
WEIGHT	5KG
IP RATING	IPX4 RATED

UV SPECIFICATIONS	
VOLTAGE RANGE	220-240V
FREQUENCY RANGE	50-HZ
POWER CONSUMPTION (@230V 50Hz)	50W
CLASSIFICATION	CLASS 1
AMBIENT OPERATING TEMPERATURES	0 TO +40 °C
AREA OF COVERAGE	SUSPENDED / FREESTANDING 550m2
REPLACEMENT TUBES (4 QTY)	130-000294 – 40W U-TUBE SCREW IN
MOUNTING METHOD	POLE, TREE OR BRACKET MOUNTED
UNIT DIMENSIONS (CM)	W:49 X D:14 X H:16
WEIGHT	5KG
IP RATING	IPX4 RATED

MAINTENANCE AND CLEANING INSTRUCTIONS

CAUTION: You MUST switch off power & unplug unit before cleaning commences.

Unscrew and slide out metal tray at bottom, replace U-Tube as instructed on back page. Clean insects off metal grills and tray with small brush once every 3 to 6 months, depending on use. Securely re-screw in metal base tray before plugging in power cord.

If the supply cord is damaged, it must be replaced by the manufacturer, its service agent or similarly qualified persons to avoid a hazard.

INSTALLATION & FIXING INSTRUCTIONS

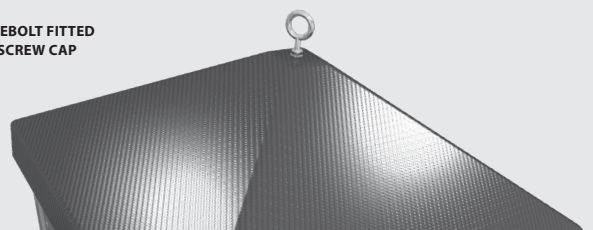
L25 & L40 is a weatherproof four-sided outdoor unit. It is designed for pole, tree or bracket mounting.

For use in outdoor entertaining areas, such as patios, gardens etc. It kills flying insects such as flies and mosquitoes.

Do not hang the unit over sources of heat (eg, barbeques) since these may damage the insulation of the electrical cable.

Locate your unit approx. 2.5 meters from the ground. Avoid draughty locations and do not install above or close to food preparation areas. Do not install near any sink area.

L40 WITH EYEBOLT FITTED REPLACING SCREW CAP



REPLACEMENT PARTS

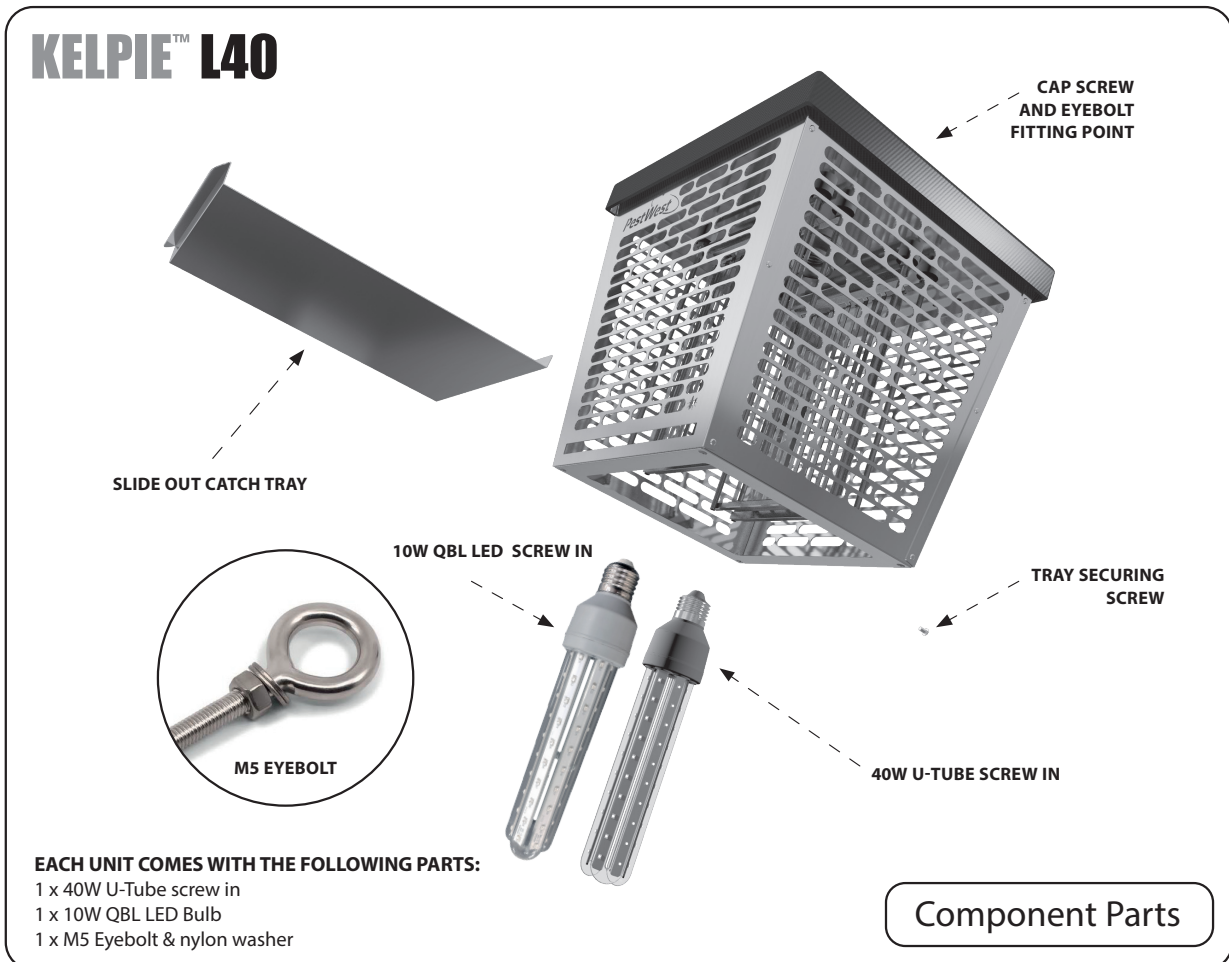
CAUTION: You MUST switch off power & unplug unit before replacing any part.

Unscrew UV or LED tube and remove metal slide out metal base tray to replace UV U-Tube

UV U-Tube should be changed approximately once every 10-12 months & LED every 3 years for maximum effectiveness

CHANGING U-TUBE INSTRUCTIONS

- 1) FIRST UNPLUG POWER
- 2) UNSCREW & REMOVE METAL TRAY AT BOTTOM OF UNIT
- 3) UNSCREW U-TUBE & REPLACE WITH NEW ONE
- 4) SLIDE METAL TRAY BACK IN & REPLACE SCREW AT REAR AND THEN PLUG IN & TURN ON POWER



WE RECOMMEND THAT YOU ONLY USE GENUINE REPLACEMENTS FROM PESTWEST.

NON-GENUINE PARTS DO NOT MEET THE SAME HIGH STANDARDS AND MAY VOID YOUR WARRANTY.

Thank you for purchasing a Pestwest Quality Product. Your unit has been designed for performance, durability and reliability to ensure many years of trouble free use.

WARNING - PLEASE READ INSTRUCTION CAREFULLY

GUARANTEE

All PestWest traps are guaranteed for 3 years (excluding LED tubes and sticky boards).
Manufacturer reserves the right to vary model specifications without notice.

KELPIE™ L40

FLUORESCENT & LED



PestWest Electronics Ltd operates a quality management system certified to ISO 9001

PestWest® Australia
4 Tesla Link, Wangara, Perth ,W.A 6065
Office: +61 (8) 9302 2088
email: info@pestwest.com.au

www.pestwest.com

Confidence in
Fly Control