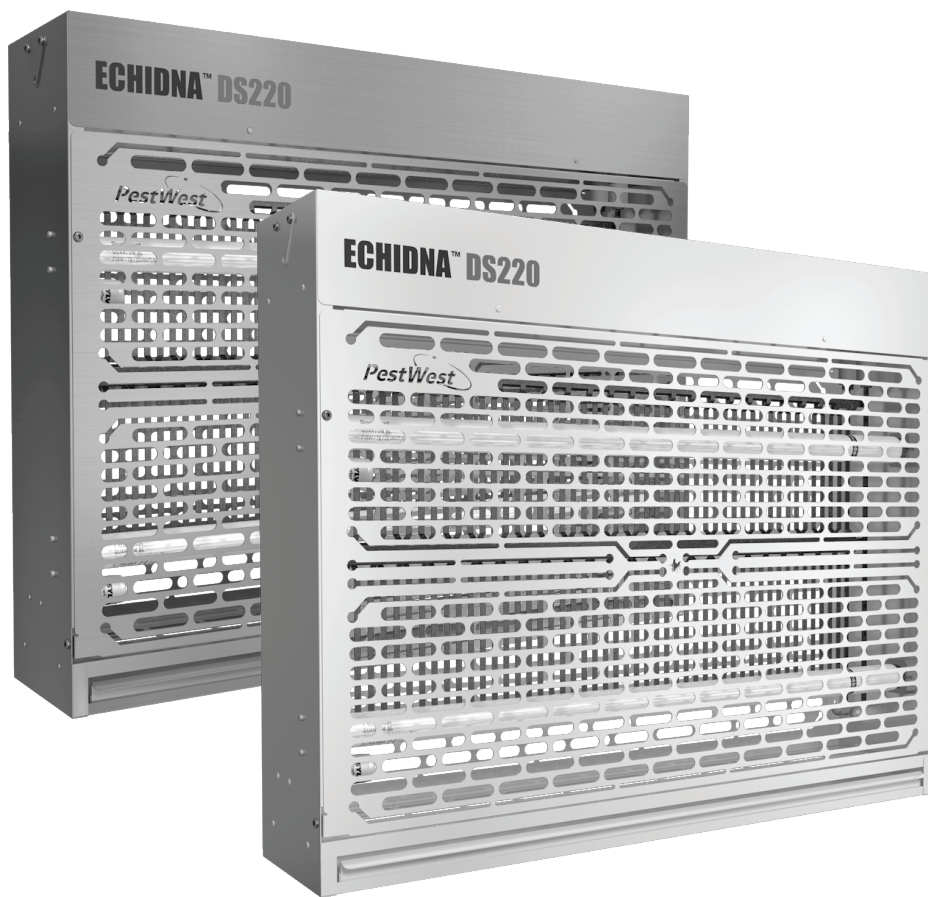


ECHIDNA™ DS220



INSTRUCTIONS FOR USE

PRECAUTIONS



ALL PESTWEST® EFK'S ARE FULLY INSULATED, CLASS 1 APPLIANCES, NEVERTHELESS, SENSIBLE PRECAUTIONS SHOULD BE OBSERVED:

- Switch off the machine before servicing or cleaning.
- Keep out of reach of children.
- Do not install where dangerous concentrations of flammable gases or dusts are likely to occur.
- Ensure the unit is properly earthed.
- If the supply cord is damaged, it must be replaced by the manufacturer, its service agent or similarly qualified persons to avoid a hazard.
- Ensure that operators have adequate and secure working platform, when working on the machines.
- The DS220 is designed for indoor use only.
- Not suitable for use in barns, stables and similar locations.
- To maintain the attractive appearance of the units, wipe down and clean as often as required. Use a cloth dampened with water and detergent or a proprietary cleaner. Do not use scouring pads or abrasives.
- A Risk Assessment for non-target species should be made prior to installation
- If the unit does not light up within a few seconds after plugging in, switch off unit and check tubes and starters are fitted correctly.
- Do not replace any electrical cords yourself. You must use a registered electrical contractor.
- We suggest the unit be kept on 24 hours a day 365 days a year, as some insects are about all year round.



DANGER HIGH VOLTAGE!

This appliance uses a high voltage killing grid to electrocute flying insects always disconnect the power before commencing maintenance and cleaning. The appliance is provided with a safety interlock switch which cuts the power to the lamps and killing grid when the guard is opened.

TECHNICAL SPECIFICATIONS

VOLTAGE RANGE	220-240V
FREQUENCY RANGE	50-HZ
POWER CONSUMPTION (@230V 50Hz)	100W
INGRESS PROTECTION RATING	20
CLASSIFICATION	CLASS 1
AMBIENT OPERATING TEMPERATURES	0 TO +40 °C
LED DRIVER TYPE	MAGNETIC BALLAST
AREA OF COVERAGE	150m ² WALL MOUNTED 250m ² FREESTANDING
REPLACEMENT TUBES (2 QTY)	130-000174 - 18W STRAIGHT 60CM
MOUNTING METHOD	WALL MOUNTED / FREE STANDING
UNIT DIMENSIONS (CM)	W:64 X D:15 X H:51
WEIGHT	9KG UNBOXED

UNPACKING YOUR UNIT

Each unit is carefully inspected and packed before leaving our factory. Before discarding the outer carton, examine for obvious evidence of transport damage. Remove the unit and pay particular attention to the removal of all packing materials before installing the unit.

MODE OF OPERATION

Electrical EFK's operate on the principle that most flying insects are attracted to light, particularly to the ultraviolet (UV) end of the light spectrum. Since insects are still active and will fly at night, traps should be left operating 24 hours a day.

SITING

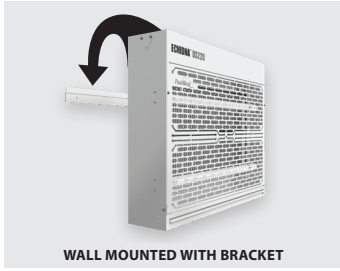
The efficiency of the unit can be affected by the intensity of other light sources, e.g.: daylight. Therefore, the unit should be mounted where competition from other light sources is minimised. In food areas, mount the unit close to, but not directly over, exposed food or preparation surfaces (preferably to attract flies away from sensitive areas rather than towards them). Observe where the flies tend to congregate and if possible, put your flytrap in or close to that area. Site the units near where flies are likely to gain access, e.g.: doors and windows opening to the outside, especially dustbin areas. Position the trap where it can be easily reached and not over working machinery where access may be difficult or dangerous. Mount the trap in a convenient location for emptying the catch tray and changing the tubes. Mount approximately 2.0 meters above the ground.

ELECTRICAL SUPPLY

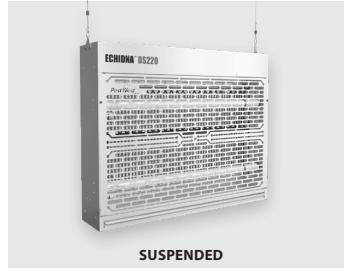
The units are supplied with a removable 2 metre input cable. The unit operates from a 220-240V 50Hz supply. If it is necessary to extend the input cable, a competent electrician must do this. Should a moulded-on plug be removed from the lead supplied, this must be disposed of safely. Ensure that once installed, the power lead is adequately secured.

INSTALLATION

- Mount unit above head height on wall and preferably above arms reach.
- Wall Mounted Mode - Preferably 230cm from floor.
- Suspended Mode - Chain suspension from overhead is possible utilizing keyholes located at both ends of the unit.
- Do not place directly over exposed foods, food preparation surfaces and packing areas, as insects may occasionally fall beyond the limit of the catch tray.
- Do not hang the unit over sources of heat (eg, fryers etc) since these may damage the insulation of the electrical cable.



WALL MOUNTED WITH BRACKET



SUSPENDED

CLEANING AND MAINTENANCE



CAUTION: You must switch off power & unplug unit before cleaning commences.

- Remove front safety guards and clean insects off electric wire grill with small brush.
- Empty the catch tray and clean approx. once every 3 to 6 months, depending on use.
- Replace front safety guard and switch on power.
- Remove any dust or dirt with cloth or duster.
- Clean approx. once every 3 to 6 months, depending on use.

REPLACEMENT PARTS



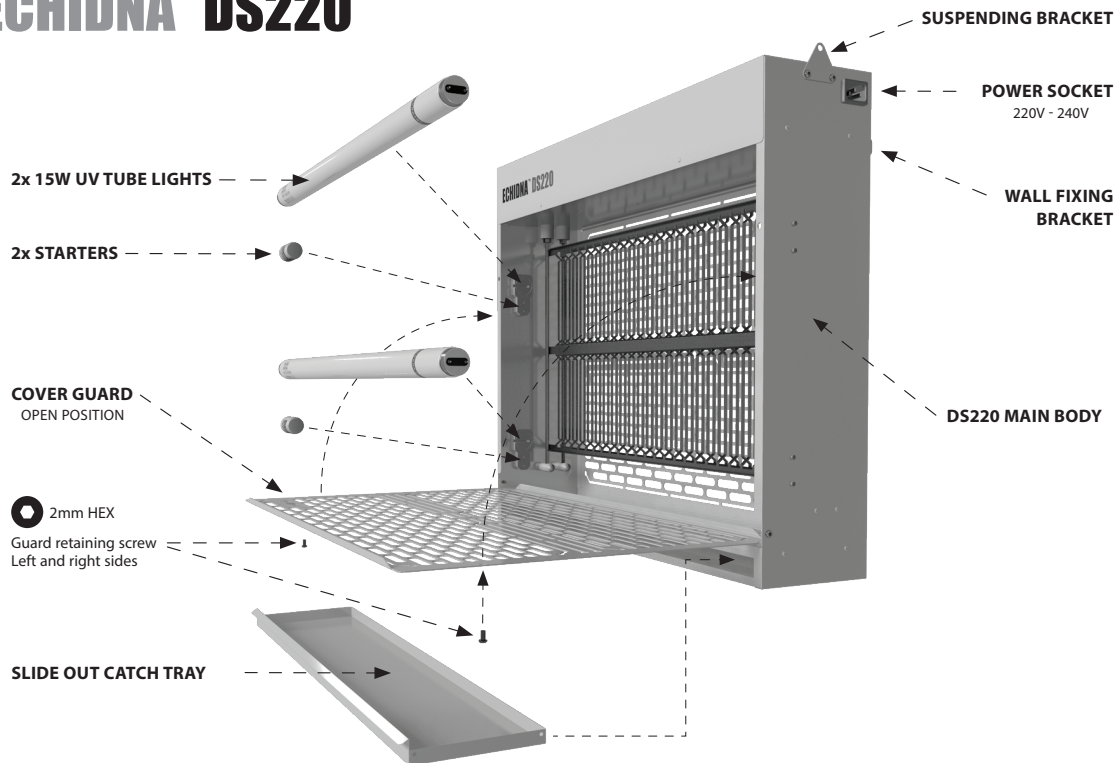
CAUTION: Always unplug before replacing parts.

- You must switch off power & unplug unit before replacing any part.
- Remove front safety guard and replace tube or starter as required.
- Tubes & Starters should be changed approximately once every 10-12 months to maximum effectiveness.
- After changing tubes & starters replace front safety guard and switch on power.
- Flag mount wall brackets and catch tray extenders are available upon request.



WE RECOMMEND THAT YOU ONLY USE GENUINE REPLACEMENT PESTWEST TUBES & PHILLIPS STARTERS. MANY CHEAPER BRANDS DO NOT MEET THE SAME HIGH STANDARDS.

ECHIDNA™ DS220



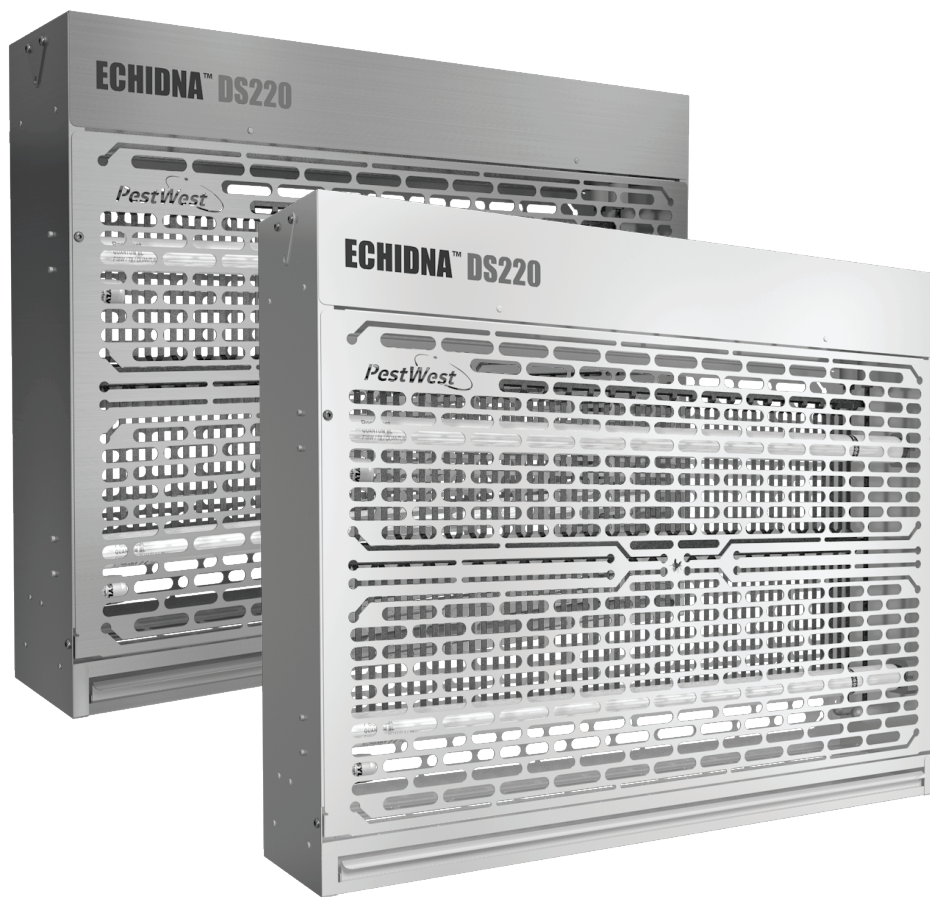
EACH UNIT COMES WITH THE FOLLOWING PARTS:
 2 x 18w UV Pest West Quantum Black Light,
 2 x 'S2' Starters

Component Parts

GUARANTEE

All PestWest traps are guaranteed for 3 years (excluding LED tubes and sticky boards).
 Manufacturer reserves the right to vary model specifications without notice.

ECHIDNA™ DS220



PestWest Electronics Ltd operates a quality management system certified to ISO 9001

PestWest® Australia
4 Tesla Link, Wangara, Perth ,W.A 6065
Office: +61 (8) 9302 2088
email: info@pestwest.com.au

www.pestwest.com

Confidence in
Fly Control